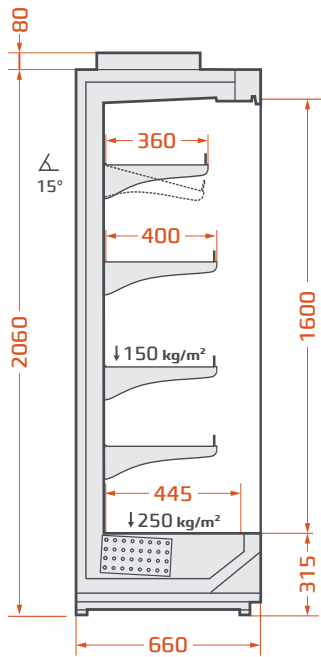
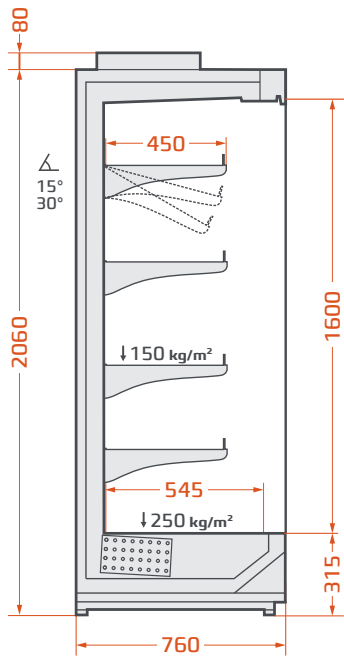


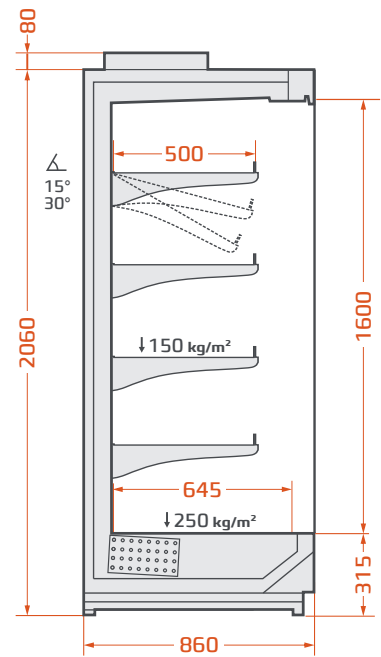
66.206



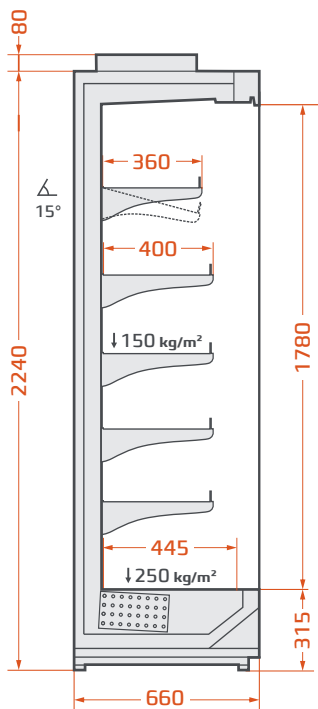
76.206



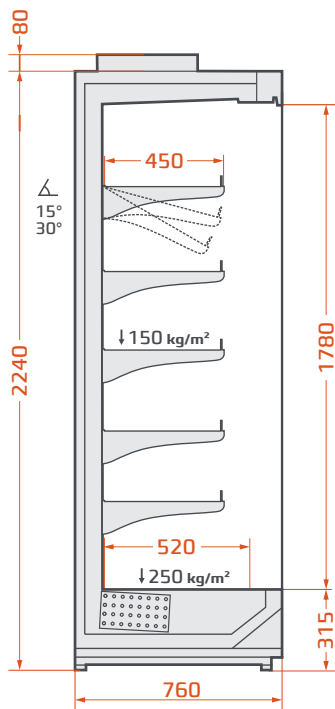
86.206



66.224



76.224



86.224

